

## 3750 to 7500W Front End Power Supplies

### Features

- ◆ 2U High
- ◆ Up to 22,500W in 19" Rack
- ◆ Hot Swappable
- ◆ High Efficiency



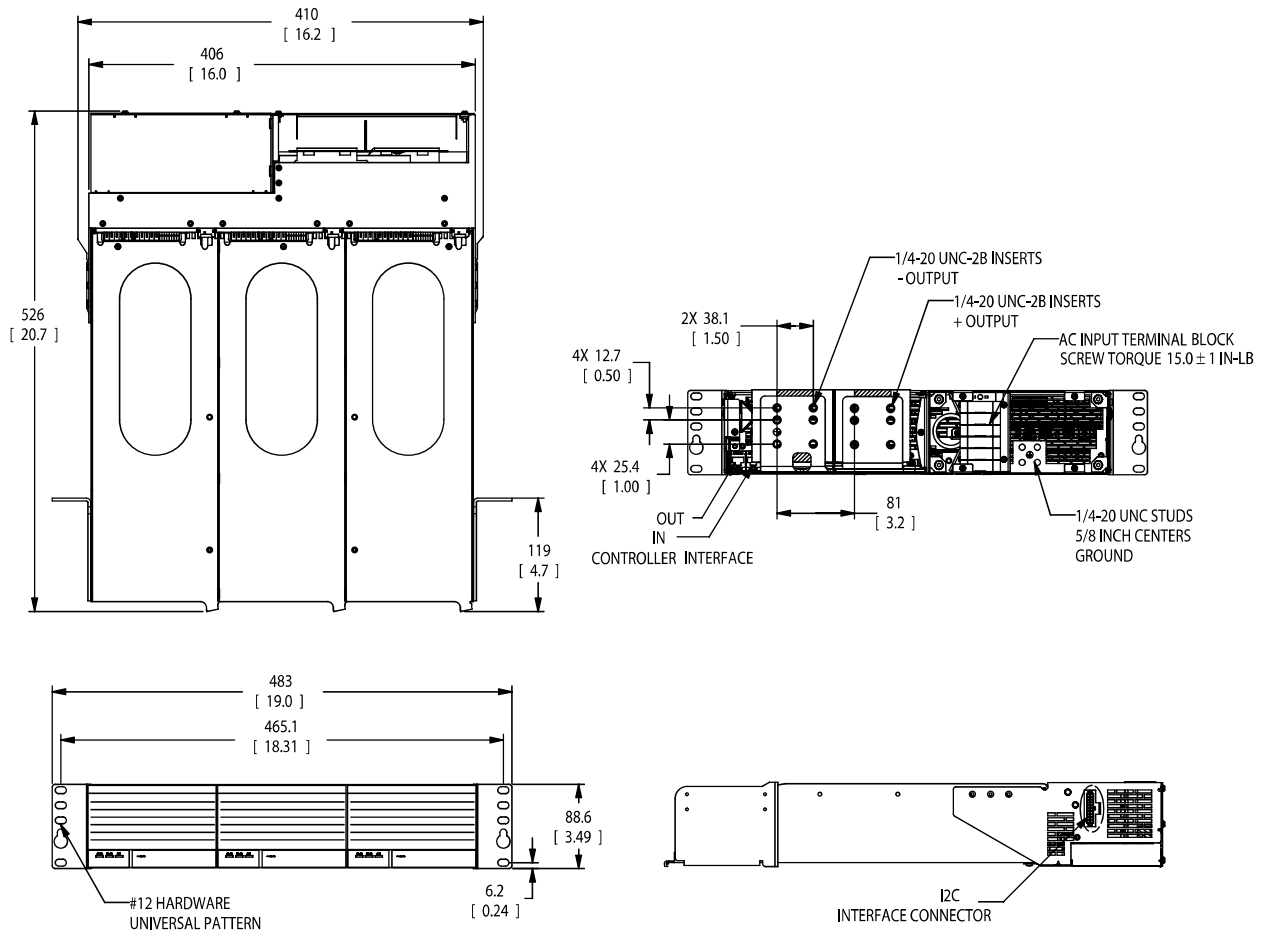
### Key Market Segments & Applications



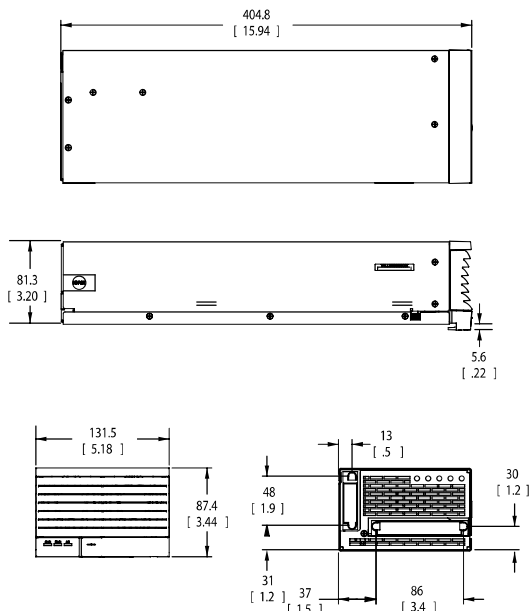
Specifications			TX375024	TX500048	TX7500W48
Model			24V Nominal	48V Nominal	48V Nominal
Output Voltage Range	(1)	VDC	21-28	42-56	42-56
Total Regulation		%		±1%	
Output Current	(5)	A(max)	150	100	150
Current limit	(1)	A	155	110	155
Short Circuit Current		rms A	50	35	50
Output Noise		mV	250mV peak to peak (10kHz to 20MHz)		
Output Rise Time		ms	100-400 ms		
Dynamic Response		%	3% in 10ms for a 10-100% load change		
Overvoltage Protection	(1)	VDC	27-30	54-60	
Load Sharing		%	±5% of full load		
Remote On/Off		V	Shuts down outputs by applying 3.3 to 5V		
Auxiliary Output	(4)	-	12V@200mA		
AC Input		VAC	180-264 (Individual Inputs)		180-305
Input Frequency		Hz	47-63		
Power Factor		-	0.99 typ. @ 230VAC, full load, meets EN61000-3-2		
Inrush Current	(2)	A	30 amps peak		
Efficiency (at 230VAC)		%	90	92	92
Immunity		-	EN61000-4-2,-3,-4,-5,-6,-8,-11		
EMC (conducted and radiated)		-	EN55022, Level B, FCC Class B		
Operating Temperature		°C	-40 to 65 (full power)		-40 to 65 (3)
Storage Temperature		°C	-40 to 85		
Humidity		%	5 to 95 (non-condensing)		
Altitude		ft	-200 to 8000		
Shock		G	IEC68-2-27, Mil-STD-810E, 20G		
Vibration		Hz	IEC68-2-64 (random) 20-2000Hz, 30 minutes		
Safety Agency		-	UL60950-1, EN60950-1, CE Mark		
Size (L x W x H)		in.	15.94 x 5.18 x 3.20 (Power Module), 21.00(D) x 16.12(W) x 3.49(H) (Rack)		
Weight		lbs	Power Module 15lbs, Rack 12lbs		
Warranty		yrs	Two Years		

1. Adjustable via i<sup>2</sup>C
2. Excludes Xcaps in the EMC input filter
3. TX7500W48 derate 2%/°C above 50°C to 65°C
4. Operates independent of main DC output and is referenced to (-)Vout
5. Minimum load of 2A required per power supply

## TX Rack Outline Drawing



## TX Module Outline Drawing



## Models

Model	Output Voltage	Output Current	Maximum Power
TX375024	24V	150A	3600W
TX500048	48V	100A	4800W
TX7500W48	48V	150A	7200W
TXR3	19" Rack holds upto 3 TX Modules (Individual AC Feed)		
TXR3025	19" Rack with 3 Phase Delta Input		
TXR3026	19" Rack with 3 Phase WYE Input		
TXRBP	Blanking panel for one module slot		

## Mating Connector

Mating Housing	Molex Micro-Fit 43025-2000
Mating Terminal	Molex Micro-Fit 43030-0002

## Other Hotswap Products

HFE	1U 1600-2500W Front End
FPS1000	1U 1000W Low Cost Front End

For Additional Information, please visit  
[us.tdk-lambda.com/lp/products/tx-series.htm](http://us.tdk-lambda.com/lp/products/tx-series.htm)

