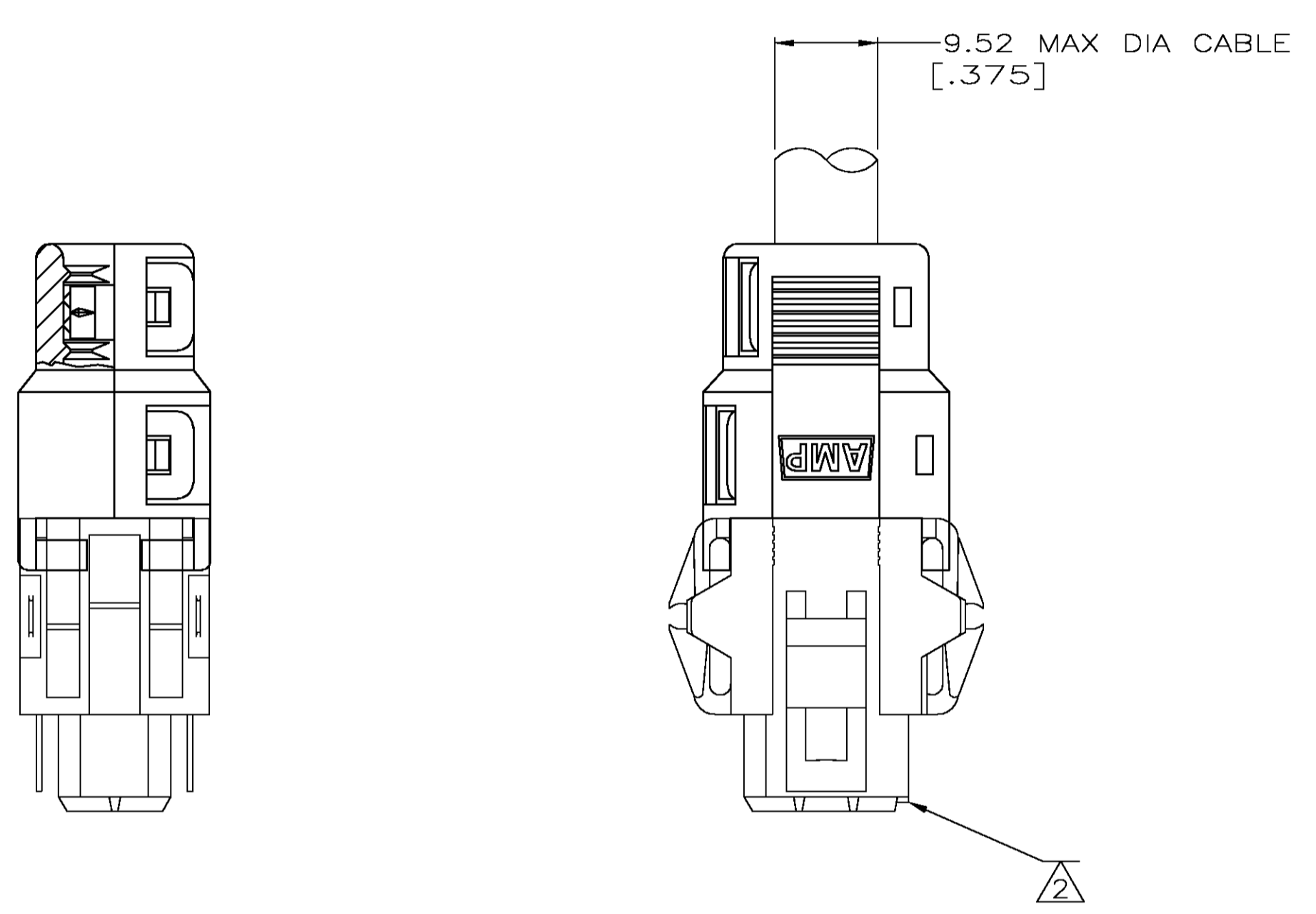
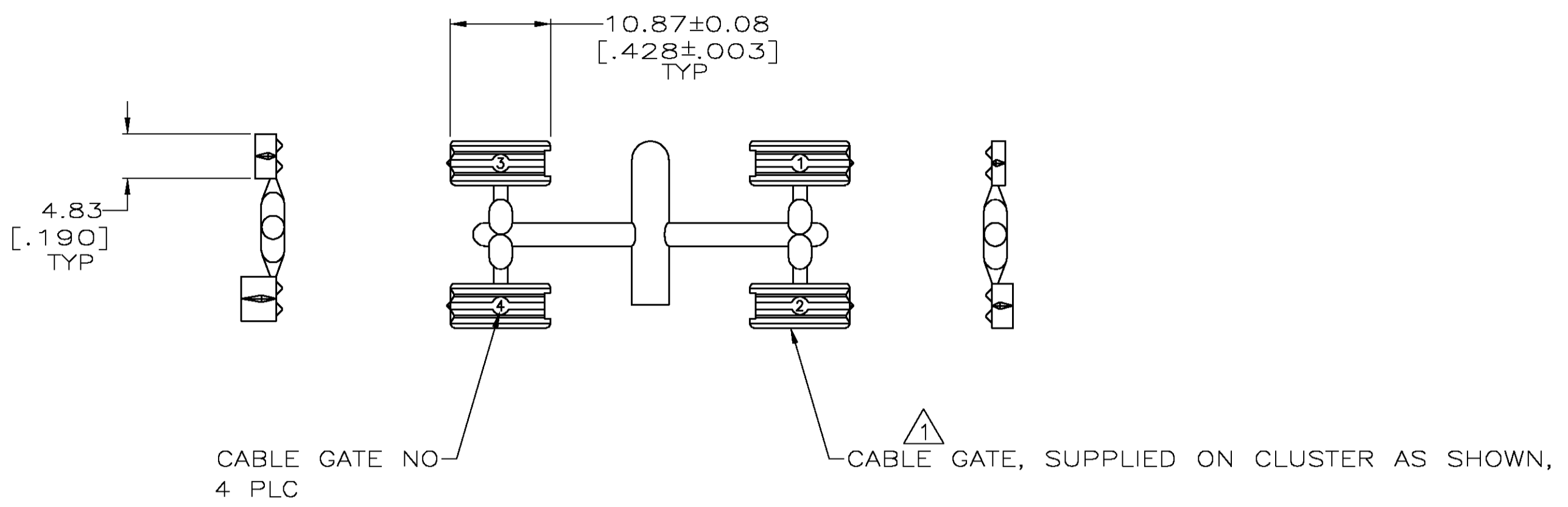
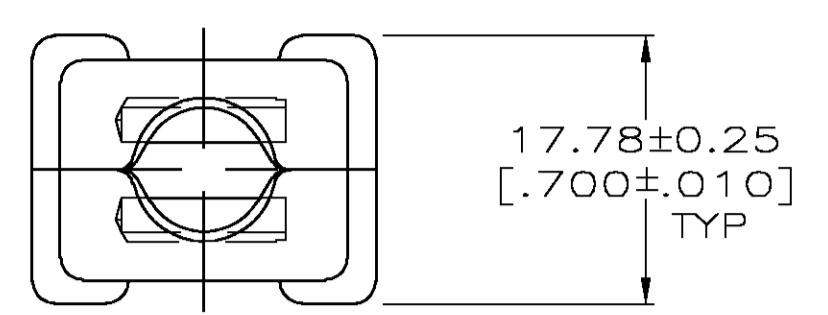
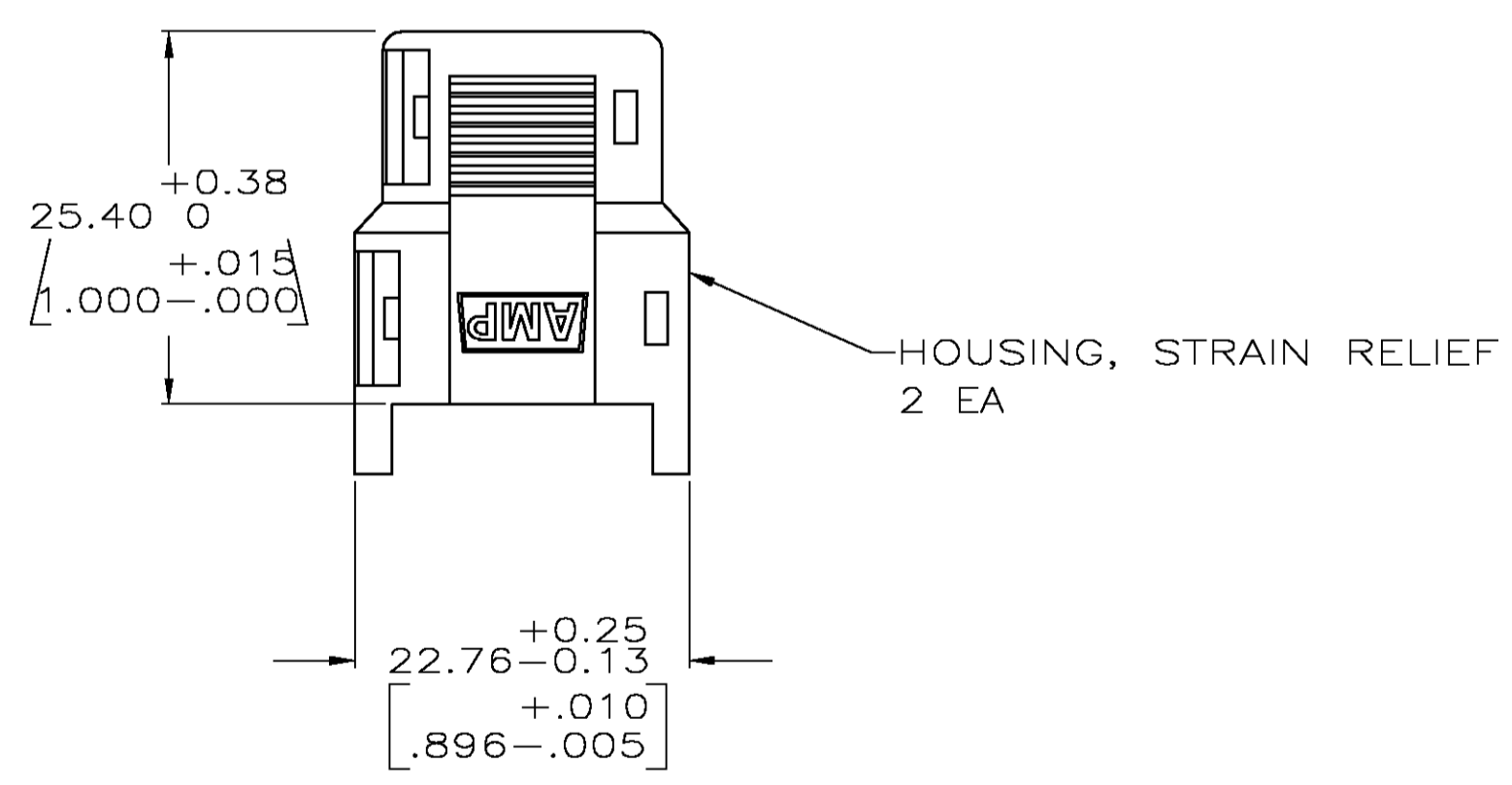
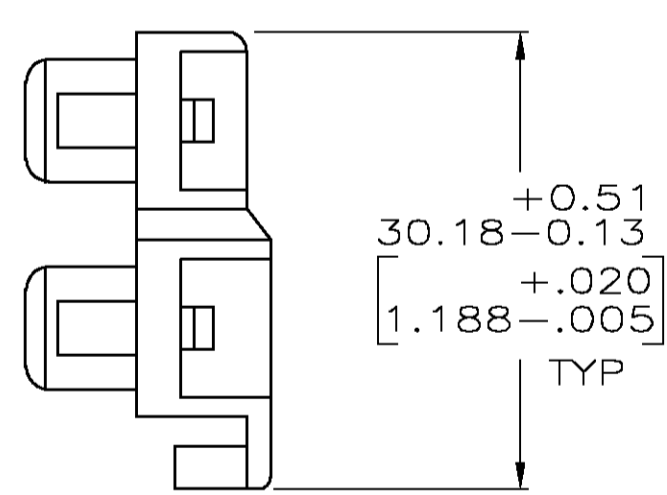
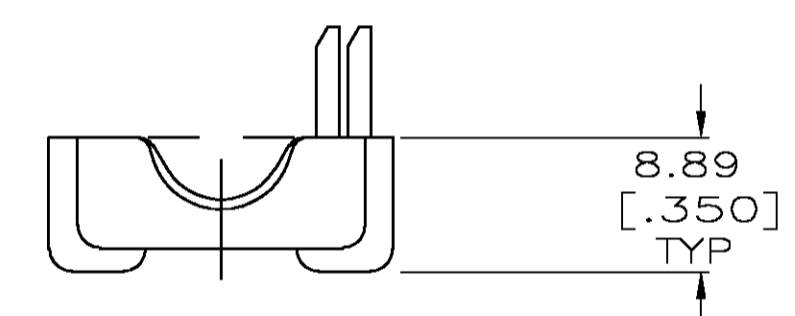


LOC		DIST		REVISIONS			
F	LTR	DESCRIPTION	DATE	DNW	APVD		
F		REVISED PER 063B-1122-04	12/1/04	SS	GS		



ASSEMBLED VIEW



- ▲ A VARIETY OF CABLE GATES ARE PROVIDED TO ACCOMMODATE A VARIETY OF CUSTOMER CABLE SIZES.
- ▲ PLUG SHOWN FOR REFERENCE ONLY, STRAIN RELIEF CAN BE USED ON EITHER PLUG OR RECEPTACLE.

207600-1
PART NUMBER

THIS DRAWING IS A CONTROLLED DOCUMENT.		DNW J. McCLINTON 1-28-92	 Tyco Electronics Corporation Harrisburg, Pa 17105-3608
DIMENSIONS: INCHES		CHK R. STONE 1-29-92	
TOLERANCES UNLESS OTHERWISE SPECIFIED:		APVD -	NAME
0 PLC ± -	1 PLC ± -	PRODUCT SPEC	STRAIN RELIEF KIT, UNASSEMBLED, 6 POSITION, METRIMATE
2 PLC ± ± 0.13[.005]	3 PLC ± ± -	APPLICATION SPEC	108-10033
4 PLC ± ± -	ANGLES ± ± -	FINISH	-
MATERIAL NYLON, NATURAL RED	FINISH -	WEIGHT -	SIZE A1
CUSTOMER DRAWING		SCALE 2:1	RESTRICTED TO -