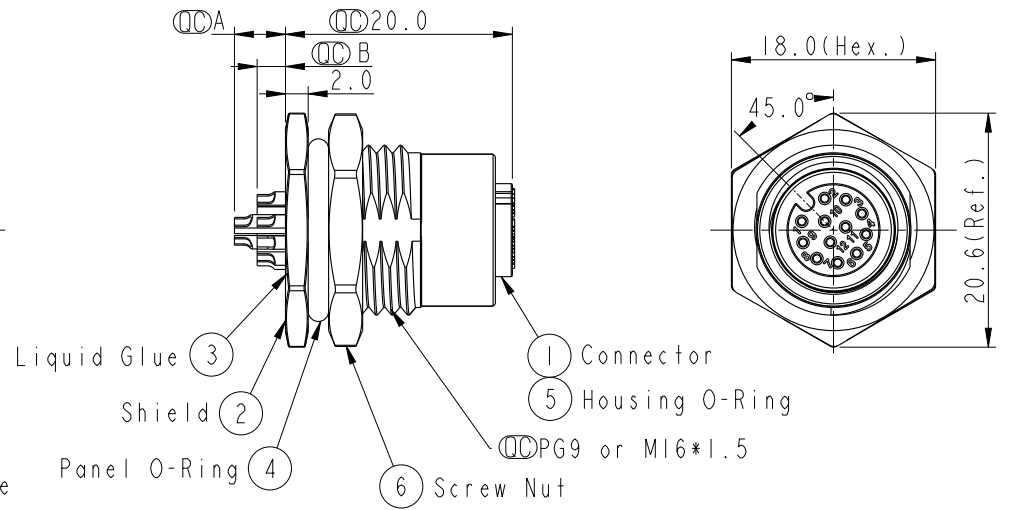
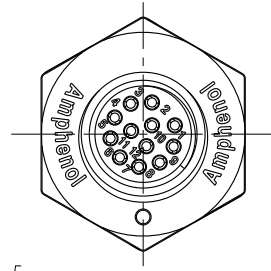
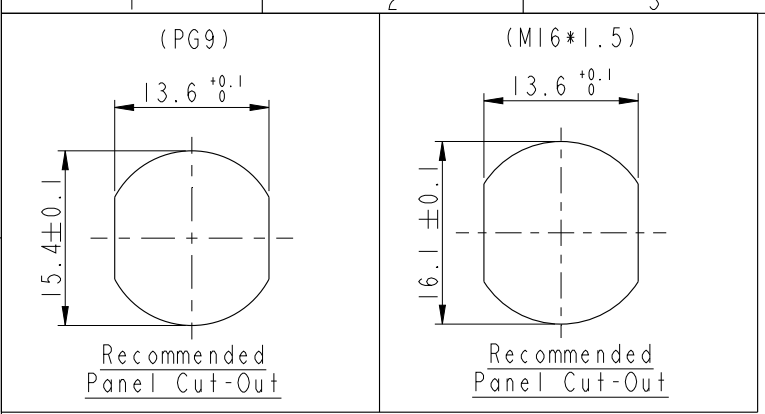


THIS DOCUMENT IS SUBJECT TO CHANGE WITHOUT NOTICE. IT IS CONFIDENTIAL AND A PROPERTY OF Amphenol LTW. DISCLOSURE TO THIRD PARTY HAS TO BE AUTHORIZED BY Amphenol LTW.

REV.	ECN NO.	DATE	SIGN	DESCRIPTION
B	LEN1570203-210 LE31570188-191	2015/07/17	Yulong_wang	Change to Share Drawing.
C	LEN1680907-918	2016/08/06	Yulong_wang	Add 6Pin & IP69K.



M 12A - XX P F F S - S F 8 XXX

12A: A-Code

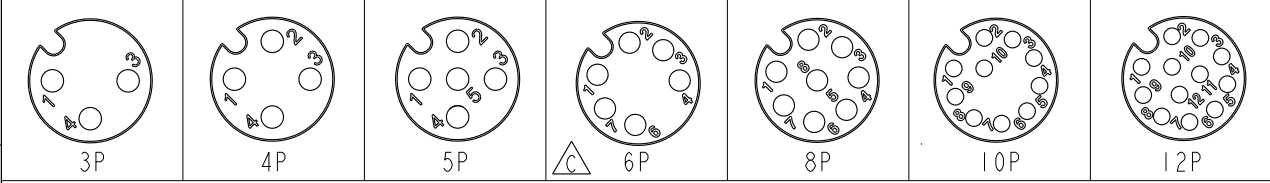
03: 3Pin
04: 4Pin
05: 5Pin
06: 6Pin \triangle
08: 8Pin
10: 10Pin
12: 12Pin

P: Panel (板端)
F: Female Connector (母座)
S: Screw (螺紋式)
S: Solder Type (焊接式)
F: Female Pin (母Pin)

001: PG9
002: M16*1.5
8: IP68/69K (防水等級68/69K) \triangle

F: Front Fasten (前鎖式/Enclosure Rear Mount)

M12A-03PFFS-SF8XXX		2.5
M12A-04PFFS-SF8XXX		2.5
M12A-05PFFS-SF8XXX		2.5
M12A-06PFFS-SF8XXX		2.5
M12A-08PFFS-SF8XXX		2.5
M12A-10PFFS-SF8XXX	4.5	2.5
M12A-12PFFS-SF8XXX	4.5	2.5
Item No.	A	B
	Pin伸出長度	



Pin Assignment Front View

UNIT: mm	TOLERANCE	SCALE	SIZE	SHEET	OF
	.X ±0.25 .XX ±0.1 .XXX ±0.05 ANGLES ±1°	3:2	A4	1	1
		REV. C	WC-REV. A.5	☉: Inspection item	

Amphenol LTW
安費諾亮泰企業股份有限公司

ITEM NO.	DRAWN BY	DATE
	Yulong_wang	2016-08-06
DWG NO.	CHECKED BY	DATE
M12A-XXPFFS-SF8XXX	Jinhai	2016-08-06
CUSTOMER	APPROVED BY	DATE
ALTW	Jerry	2016-08-06

ALTW
CONFIDENTIAL
2016-08-06
R&D DEPT.

ALTW
DCC. DEPT.
CONFIDENTIAL
2016.08.19
ISSUED

Note:

- * ☉ Important Dimension.
- * \triangle Waterproof Rate: IP68, IP69K.
- * Housing: Nylon+GF, Black.
- * Female Pin: Copper Alloy, Gold Plated.
- * Shield: Zinc Alloy, Nickel Plated.
- * Screw Nut: Zinc Alloy, Nickel Plated.
- * Panel O-Ring: Viton, Black.
- * Housing O-Ring: Viton, Green.
- * Rated Voltage: 3 & 4Pin 250V dc. or ac.
5Pin 60V dc. or ac.
6~12Pin 30V dc. or ac.
- * Rated Current: 3~5Pin 4A
6~8Pin 2A
10~12Pin 1.5A
- * Operating Temperature: -40~105°C
- * For Panel Thickness Max 4.5mm.
- * Recommended Nut Torque: 4-6 Kgf.cm.